

Common-Mode Chokes TCM Series



TCM range

| ID Code | Inductor Range (I_{dc} +20% ripple) |
|-------------|---|
| TCM14 xxx H | 0.3A/12mH \Rightarrow 2A/1.1mH |
| TCM17 xxx H | 0.4A/39mH \Rightarrow 4A/0.7mH |
| TCM22 xxx H | 0.3A/47mH \Rightarrow 4A/1.5mH |
| TCM28 xxx H | 0.6A/47mH \Rightarrow 2.5A/3.3mH |
| TCM18 xxx V | 0.3A/12mH \Rightarrow 2A/1.1mH |
| TCM19 xxx V | 0.4A/39mH \Rightarrow 4A/0.7mH |
| TCM23 xxx V | 0.3A/47mH \Rightarrow 4A/1.5mH |

TCM 14

| ID Code | Current (A) | Inductance value (mH) | Rdc Typ (m Ω) |
|-------------|-------------|-----------------------|-----------------------|
| TCM14 12M H | 0.3 | 12 | 1275 |
| TCM14 4M4 H | 0.6 | 4,4 | 385 |
| TCM14 3M0 H | 1 | 3 | 205 |
| TCM14 1M6 H | 1.5 | 1.6 | 100 |
| TCM14 1M1 H | 2 | 1.1 | 70 |
| TCM19 xxx V | 0.8 | 10 | 0.20 |
| TCM23 xxx V | 1.2 | 6,8 | 0.15 |

TCM 17

| ID Code | I_n (A) | Inductance value (mH) | Rdc Typ (m Ω) |
|-------------|-----------|-----------------------|-----------------------|
| TCM17 39M H | 0,4 | 39 | 1460 |
| TCM17 27M H | 0,5 | 27 | 1250 |
| TCM17 15M H | 0,6 | 15 | 465 |
| TCM17 10M H | 0,8 | 10 | 370 |
| TCM17 6M8 H | 1,2 | 6,8 | 245 |
| TCM17 3M3 H | 1,5 | 3,3 | 135 |
| TCM17 1M8 H | 2 | 1,8 | 75 |
| TCM17 M70 H | 4 | 0,7 | 27 |

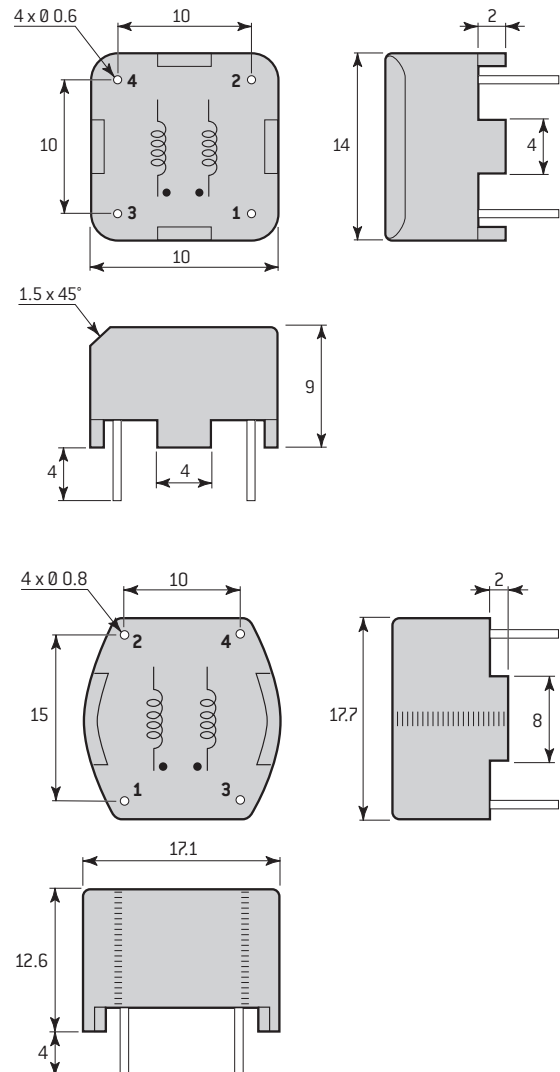
Benefits

- Designed and qualified for aerospace
- Through Hole package
- RMS current range from 0.3 A to 4 A
- Dielectric withstanding strength 1500 V_{AC}
- Materials meet UL94-V0 rating
- Operating temperature range: -55°C +125°C
- High mechanical resistance

Applications

Aeronautic, Industry, Defense, Railway

Typical Dimensions (mm)

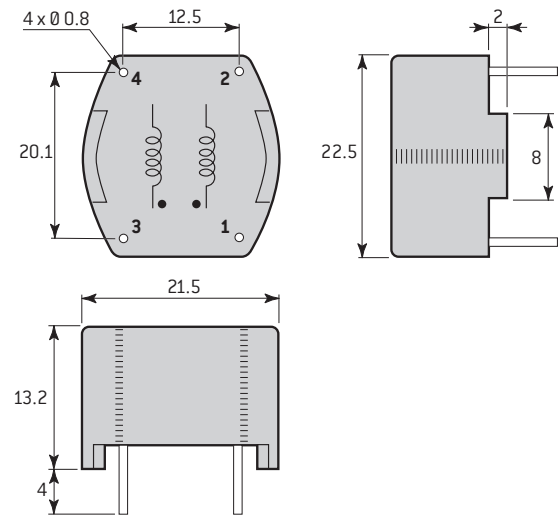


Common-Mode Chokes TCM Series

Typical Dimensions (mm)

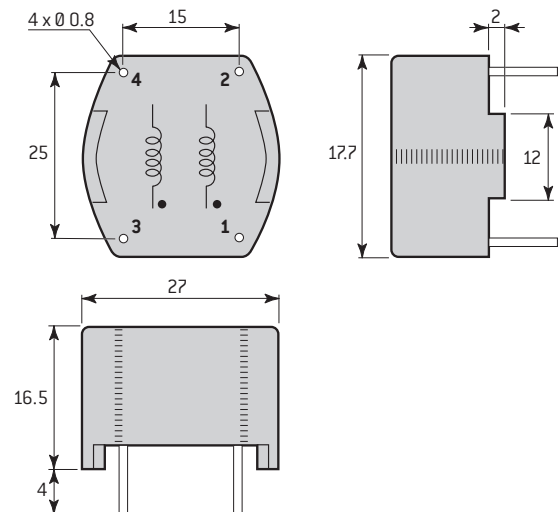
TCM 22

| ID Code | In (A) | Inductance value (mH) | Rdc Typ (mΩ) |
|-------------|--------|-----------------------|--------------|
| TCM22 47M H | 0.3 | 47 | 1750 |
| TCM22 39M H | 0.5 | 39 | 810 |
| TCM22 27M H | 0.8 | 27 | 500 |
| TCM22 15M H | 1 | 15 | 375 |
| TCM22 10M H | 1.2 | 10 | 200 |
| TCM22 6M8 H | 1.5 | 6.8 | 130 |
| TCM22 4M2 H | 2 | 4.2 | 102 |
| TCM22 3M3 H | 2.5 | 3.3 | 72 |
| TCM22 2M0 H | 3 | 2 | 55 |
| TCM22 1M5 H | 4 | 1.5 | 35 |



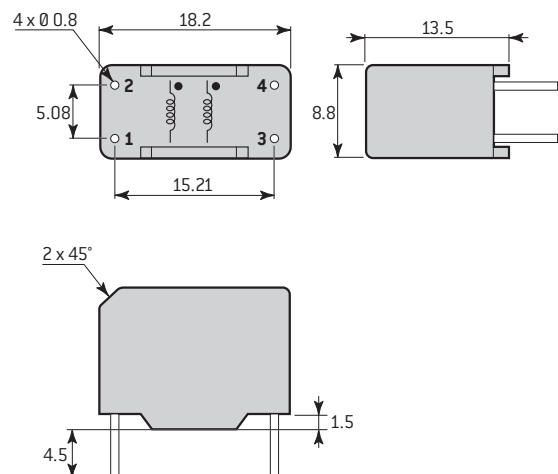
TCM 28

| ID Code | In (A) | Inductance value (mH) | Rdc Typ (mΩ) |
|-------------|--------|-----------------------|--------------|
| TCM28 47M H | 0.6 | 47 | 1180 |
| TCM28 39M H | 0.8 | 39 | 1000 |
| TCM28 18M H | 1 | 18 | 610 |
| TCM28 10M H | 1.5 | 10 | 220 |
| TCM28 6M8 H | 2 | 6.8 | 147 |
| TCM28 5M6 H | 2.5 | 5.6 | 105 |
| TCM28 4M5 H | 3 | 4.5 | 80 |
| TCM28 3M3 H | 4 | 3.3 | 45 |



TCM 18

| ID Code | In (A) | Inductance value (mH) | Rdc Typ (mΩ) |
|-------------|--------|-----------------------|--------------|
| TCM18 12M V | 0.3 | 12 | 1275 |
| TCM18 4M4 V | 0.6 | 4.4 | 385 |
| TCM18 3M0 V | 1 | 3 | 205 |
| TCM18 1M6 V | 1.5 | 1.6 | 100 |
| TCM18 1M1 V | 2 | 1.1 | 70 |



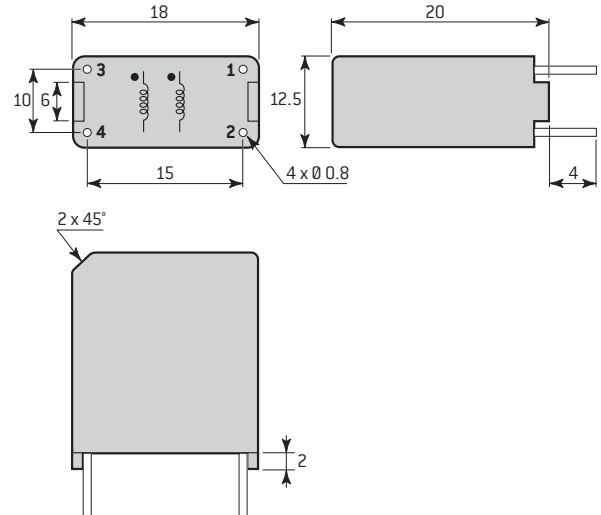
STANDARD PRODUCTS

Common-Mode Chokes TCM Series

Typical Dimensions (mm)

TCM 19

| ID Code | In (A) | Inductance value (mH) | Rdc Typ (mΩ) |
|-------------|--------|-----------------------|--------------|
| TCM19 39M V | 0.4 | 39 | 1460 |
| TCM19 27M V | 0.5 | 27 | 1250 |
| TCM19 15M V | 0.6 | 15 | 465 |
| TCM19 10M V | 0.8 | 10 | 370 |
| TCM19 6M8 V | 1.2 | 6.8 | 245 |
| TCM19 3M3 V | 1.5 | 3.3 | 135 |
| TCM19 1M8 V | 2 | 1.8 | 75 |
| TCM19 0M7 V | 4 | 0.7 | 27 |



TCM 23

| ID Code | In (A) | Inductance value (mH) | Rdc Typ (mΩ) |
|-------------|--------|-----------------------|--------------|
| TCM23 47M V | 0.3 | 47 | 1750 |
| TCM23 39M V | 0.5 | 39 | 810 |
| TCM23 27M V | 0.8 | 27 | 500 |
| TCM23 15M V | 1 | 15 | 375 |
| TCM23 10M V | 1.2 | 10 | 200 |
| TCM23 6M8 V | 1.5 | 6.8 | 130 |
| TCM23 4M2 V | 2 | 4.2 | 102 |
| TCM23 3M3 V | 2.5 | 3.3 | 72 |
| TCM23 2M0 V | 3 | 2 | 55 |
| TCM23 1M5 V | 4 | 1.5 | 35 |

