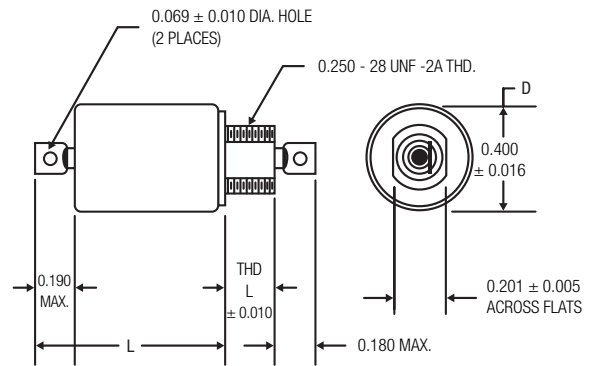
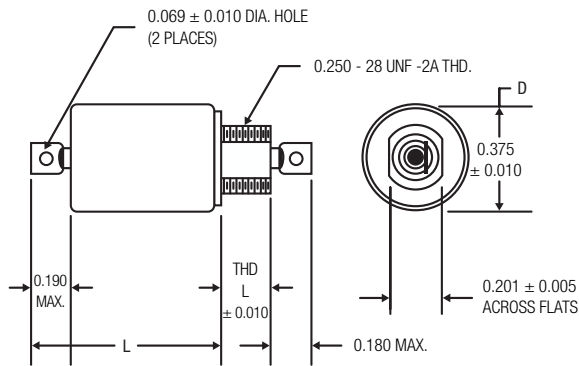
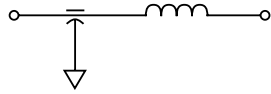


DC-RATED CERAMIC EMI-RFI FILTERS

L1 (40 dB/DECADE)

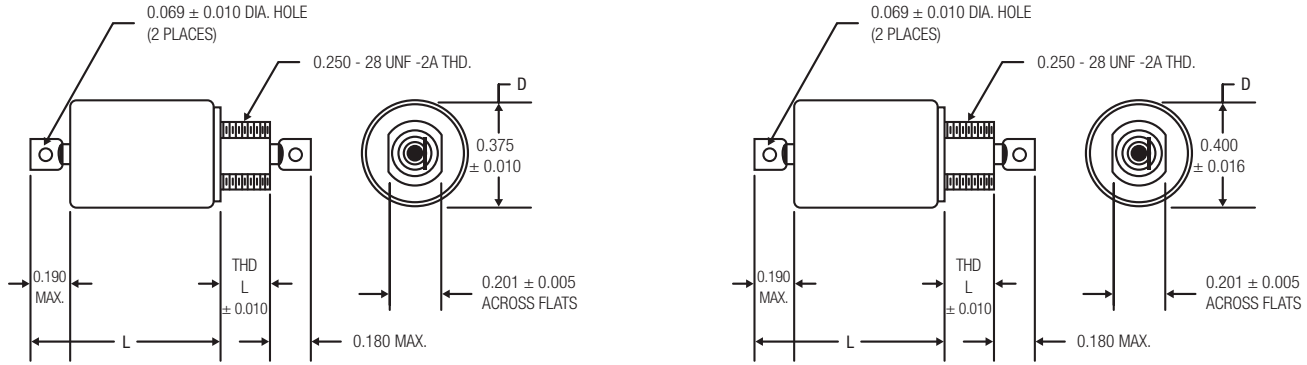
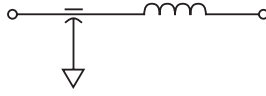
L1 (40 dB / DECADE)



| Current Rating (A) | DC Voltage Rating | | D (in.) | Max. L (in.) | Thd. L (in.) | Min. Cap. (µF) | Max. R _{DC} (Ω) | Minimum Insertion Loss +25°C per MIL-STD-220 | | | | | | Dearborn Part Number | |
|--------------------|-------------------|------------|---------|--------------|--------------|----------------|--------------------------|--|------------|-------------|-------------|-----------|------------|----------------------|-----------|
| | @85°C (V) | @125°C (V) | | | | | | 30kHz (dB) | 75kHz (dB) | 100kHz (dB) | 150kHz (dB) | 1MHz (dB) | 10MHz (dB) | | 1GHz (dB) |
| 0.1 | 100 | 50 | 0.400 | 0.630 | 0.312 | 0.25 | 1.65 | 9.0 | 23 | 29 | 39 | 70 | 70 | 70 | 1JX2206 |
| 0.1 | 100 | 50 | 0.400 | 0.630 | 0.312 | 0.75 | 1.7 | 20 | 35 | 41 | 48 | 70 | 70 | 70 | 1JX2203 |
| 0.1 | 100 | 50 | 0.400 | 0.630 | 0.187 | 0.75 | 1.7 | 20 | 35 | 41 | 48 | 70 | 70 | 70 | 1JX2603 |
| 0.1 | 100 | 50 | 0.375 | 0.730 | 0.312 | 1.5 | 2.23 | 26 | 43 | 48 | 54 | 80 | 80 | 80 | 1JX6221A |
| 0.1 | 100 | 50 | 0.375 | 0.730 | 0.187 | 1.5 | 2.23 | 26 | 43 | 48 | 54 | 80 | 80 | 80 | 1JX6201A |
| 0.1 | 200 | 100 | 0.400 | 0.630 | 0.312 | 0.25 | 1.7 | 11 | 26 | 32 | 39 | 60 | 60 | 60 | 1JX2205 |
| 0.1 | 200 | 100 | 0.400 | 0.630 | 0.187 | 0.25 | 1.7 | 11 | 26 | 32 | 39 | 60 | 60 | 60 | 1JX2605 |
| 0.1 | 200 | 100 | 0.400 | 0.630 | 0.187 | 0.0012 | 0.7 | - | - | - | 4.0 | 22 | 52 | 70 | 1JX6408A |
| 0.1 | 300 | 150 | 0.400 | 0.630 | 0.312 | 0.15 | 1.65 | 6.0 | 20 | 24 | 33 | 60 | 60 | 60 | 1JX2204 |
| 0.15 | 100 | 50 | 0.375 | 0.740 | 0.312 | 1.5 | 1.75 | 24 | 39 | 45 | 48 | 70 | 70 | 70 | 1JX2252E |
| 0.15 | 100 | 50 | 0.400 | 0.760 | 0.312 | 1.5 | 1.5 | 25 | 40 | 46 | 51 | 70 | 70 | 70 | 1JX2252C |
| 0.15 | 100 | 50 | 0.375 | 0.740 | 0.312 | 1.5 | 1.35 | 24 | 39 | 44 | 51 | 80 | 80 | 80 | 1JX6063A |
| 0.15 | 100 | 50 | 0.375 | 0.740 | 0.187 | 1.5 | 1.35 | 8.0 | 15 | 18 | 22 | 50 | 70 | 70 | 1JX6061A |
| 0.25 | 175 | 100 | 0.400 | 0.740 | 0.187 | 0.5 | 0.75 | - | 25 | 29 | 37 | 70 | 80 | 80 | 1JX6065A |
| 0.3 | 100 | 50 | 0.400 | 0.630 | 0.312 | 0.75 | 0.7 | 15 | 31 | 35 | 42 | 70 | 70 | 70 | 1JX2213 |
| 0.3 | 100 | 50 | 0.400 | 0.630 | 0.187 | 0.75 | 0.75 | 15 | 31 | 35 | 42 | 70 | 70 | 70 | 1JX2613 |
| 0.3 | 200 | 100 | 0.400 | 0.630 | 0.312 | 0.25 | 0.7 | 6.0 | 22 | 25 | 32 | 60 | 60 | 60 | 1JX2215 |
| 0.3 | 200 | 100 | 0.400 | 0.630 | 0.187 | 0.25 | 0.75 | 6.0 | 22 | 25 | 32 | 60 | 60 | 60 | 1JX2615 |
| 0.45 | 100 | 50 | 0.375 | 0.760 | 0.312 | 1.5 | 0.7 | 16 | 34 | 37 | 42 | 70 | 70 | 70 | 1JX2255E |
| 0.45 | 100 | 50 | 0.400 | 0.770 | 0.187 | 1.5 | 0.45 | 20 | 33 | 39 | 45 | 70 | 70 | 70 | 1JX6085A |
| 0.45 | 100 | 50 | 0.375 | 0.740 | 0.312 | 1.5 | 0.7 | 18 | 33 | 35 | 44 | 76 | 80 | 80 | 1JX6064A |
| 0.45 | 100 | 50 | 0.375 | 0.740 | 0.187 | 1.5 | 0.7 | 18 | 33 | 35 | 44 | 76 | 80 | 80 | 1JX6062A |
| 0.5 | 100 | 50 | 0.400 | 0.630 | 0.312 | 0.75 | 0.35 | 12 | 25 | 29 | 36 | 69 | 70 | 70 | 1JX2223 |
| 0.5 | 100 | 50 | 0.400 | 0.630 | 0.187 | 0.75 | 0.35 | 12 | 25 | 29 | 36 | 69 | 70 | 70 | 1JX2623 |
| 0.5 | 150 | 100 | 0.400 | 0.800 | 0.187 | 0.5 | 0.5 | 11 | 24 | 31 | 37 | 70 | 80 | 80 | 1JX6077A |
| 0.5 | 200 | 100 | 0.400 | 0.630 | 0.312 | 0.25 | 0.35 | 3.0 | 15 | 20 | 26 | 59 | 60 | 60 | 1JX2225 |
| 0.5 | 200 | 100 | 0.400 | 0.630 | 0.187 | 0.25 | 0.35 | 3.0 | 15 | 20 | 26 | 59 | 60 | 60 | 1JX2625 |
| 0.5 | 200 | 150 | 0.400 | 0.750 | 0.187 | 0.25 | 0.5 | - | 16 | 24 | 28 | 60 | 70 | 70 | 1JX6081A |
| 1.0 | 100 | 50 | 0.400 | 0.630 | 0.312 | 0.75 | 0.14 | 11 | 18 | 21 | 26 | 55 | 70 | 70 | 1JX2233 |
| 1.0 | 100 | 50 | 0.400 | 0.630 | 0.187 | 0.75 | 0.14 | 11 | 18 | 21 | 26 | 55 | 70 | 70 | 1JX2633 |
| 1.0 | 100 | 50 | 0.400 | 0.570 | 0.187 | 1.5 | 0.2 | 15 | 24 | 30 | 36 | 65 | 70 | 70 | 1JX6130B |
| 1.0 | 100 | 50 | 0.400 | 0.630 | 0.187 | 1.5 | 0.14 | 15 | 24 | 29 | 34 | 64 | 70 | 70 | 1JX6094A |
| 1.0 | 100 | 50 | 0.400 | 0.800 | 0.187 | 0.75 | 0.3 | - | 24 | 53 | 66 | 68 | 70 | 70 | 1JX6015A |

DC-RATED CERAMIC EMI-RFI FILTERS

L1 (40 dB / DECADE)



| Current Rating (A) | DC Voltage Rating | | D (in.) | Max. L (in.) | Thd. L (in.) | Min. Cap. (µF) | Max. R _{DC} (Ω) | Minimum Insertion Loss +25°C per MIL-STD-220 | | | | | | | Dearborn Part Number |
|--------------------|-------------------|------------|---------|--------------|--------------|----------------|--------------------------|--|------------|-------------|-------------|-----------|------------|-----------|----------------------|
| | @85°C (V) | @125°C (V) | | | | | | 30kHz (dB) | 75kHz (dB) | 100kHz (dB) | 150kHz (dB) | 1MHz (dB) | 10MHz (dB) | 1GHz (dB) | |
| 1.0 | 150 | 100 | 0.400 | 0.800 | 0.187 | 0.5 | 0.24 | 8.0 | 16 | 23 | 28 | 61 | 70 | 80 | 1JX6078A |
| 1.0 | 175 | 100 | 0.400 | 0.770 | 0.187 | 0.5 | 0.14 | - | - | - | 24 | 54 | 80 | 80 | 1JX6066A |
| 1.0 | 200 | 100 | 0.400 | 0.630 | 0.312 | 0.25 | 0.14 | 3.0 | 9.0 | 12 | 16 | 46 | 60 | 60 | 1JX2235 |
| 1.0 | 200 | 100 | 0.400 | 0.630 | 0.187 | 0.25 | 0.14 | 3.0 | 9.0 | 12 | 16 | 46 | 60 | 60 | 1JX2635 |
| 1.0 | 250 | 150 | 0.400 | 0.750 | 0.187 | 0.25 | 0.24 | - | 12 | 14 | 20 | 52 | 80 | 80 | 1JX6082A |
| 1.0 | 300 | 150 | 0.400 | 0.630 | 0.187 | 0.15 | 0.135 | - | 5.0 | 8.0 | 11 | 43 | 60 | 60 | 1JX2634 |
| 2.0 | 100 | 50 | 0.400 | 0.630 | 0.312 | 0.75 | 0.06 | 10 | 15 | 20 | 24 | 48 | 70 | 70 | 2JX2243 |
| 2.0 | 100 | 50 | 0.400 | 0.630 | 0.187 | 0.75 | 0.06 | 10 | 15 | 20 | 24 | 48 | 70 | 70 | 2JX2643 |
| 2.0 | 100 | 50 | 0.400 | 0.630 | 0.187 | 0.25 | 0.055 | 4.0 | 9.0 | 11 | 15 | 40 | 60 | 60 | 2JX2641 |
| 2.0 | 200 | 100 | 0.400 | 0.630 | 0.312 | 0.25 | 0.06 | 3.0 | 8.0 | 11 | 15 | 38 | 60 | 60 | 2JX2245 |
| 2.0 | 200 | 100 | 0.400 | 0.630 | 0.187 | 0.25 | 0.06 | 3.0 | 8.0 | 11 | 15 | 38 | 60 | 60 | 2JX2645 |
| 2.0 | 300 | 150 | 0.400 | 0.630 | 0.187 | 0.1 | 0.055 | - | 4.0 | 5.0 | 8.0 | 40 | 60 | 60 | 2JX2644 |
| 2.0 | 300 | 150 | 0.400 | 0.630 | 0.312 | 0.1 | 0.055 | - | 4.0 | 5.0 | 8.0 | 40 | 60 | 60 | 2JX2244 |
| 3.0 | 100 | 70 | 0.400 | 0.630 | 0.187 | 0.75 | 0.02 | - | 16 | 18 | 22 | 42 | 70 | 70 | 3JX6160A |
| 3.0 | 175 | 100 | 0.400 | 0.800 | 0.187 | 0.5 | 0.023 | - | 13 | 15 | 19 | 43 | 70 | 70 | 3JX6079A |
| 5.0 | 100 | 50 | 0.400 | 0.630 | 0.312 | 0.75 | 0.01 | 11 | 18 | 21 | 24 | 39 | 70 | 70 | 5JX2293 |
| 5.0 | 100 | 50 | 0.400 | 0.630 | 0.187 | 0.75 | 0.01 | 11 | 18 | 21 | 24 | 39 | 70 | 70 | 5JX2693 |
| 5.0 | 100 | 50 | 0.375 | 0.790 | 0.187 | 1.5 | 0.015 | 15 | 25 | 27 | 30 | 45 | 60 | 70 | 5JX6022A |
| 5.0 | 100 | 50 | 0.400 | 0.760 | 0.187 | 1.5 | 0.01 | 16 | 24 | 26 | 30 | 48 | 70 | 70 | 5JX2678 |
| 5.0 | 175 | 85 | 0.400 | 0.770 | 0.187 | 0.5 | 0.01 | 8.0 | 14 | 17 | 20 | 38 | 60 | 70 | 5JX6067A |
| 5.0 | 175 | 85 | 0.400 | 0.800 | 0.187 | 0.5 | 0.01 | 6.0 | 14 | 16 | 20 | 36 | 64 | 70 | 5JX6045A |
| 5.0 | 200 | 100 | 0.400 | 0.630 | 0.312 | 0.25 | 0.01 | - | 11 | 14 | 17 | 32 | 61 | 70 | 5JX2295 |
| 5.0 | 200 | 100 | 0.400 | 0.630 | 0.187 | 0.25 | 0.01 | - | 11 | 14 | 17 | 32 | 61 | 70 | 5JX2695 |
| 10 | 100 | 50 | 0.375 | 0.730 | 0.187 | 1.5 | 0.004 | 15 | 22 | 26 | 30 | 43 | 60 | 70 | 10JX2548A |
| 10 | 100 | 50 | 0.375 | 0.385 | 0.187 | 1.5 | 0.004 | 18 | 26 | 28 | 32 | 46 | 54 | 70 | 10JX2117 |
| 10 | 100 | 50 | 0.375 | 0.730 | 0.312 | 1.5 | 0.004 | 16 | 22 | 26 | 30 | 43 | 60 | 70 | 10JX2112A |
| 10 | 100 | 50 | 0.400 | 0.440 | 0.187 | 1.5 | 0.008 | 15 | 24 | 27 | 30 | 46 | 60 | 70 | 10JX6292 |
| 10 | 100 | 50 | 0.375 | 0.760 | 0.187 | 1.5 | 0.004 | 15 | 24 | 27 | 30 | 46 | 60 | 70 | 10JX6043A |
| 10 | 175 | 100 | 0.375 | 0.385 | 0.187 | 0.5 | 0.004 | 8.0 | 16 | 18 | 20 | 38 | 55 | 70 | 10JX2545 |
| 15 | 100 | 50 | 0.400 | 0.370 | 0.187 | 0.75 | 0.004 | 8.0 | 17 | 18 | 20 | 38 | 54 | 70 | 15JX2589 |
| 15 | 100 | 50 | 0.375 | 0.370 | 0.187 | 1.5 | 0.0025 | 16 | 24 | 27 | 28 | 44 | 58 | 70 | 15JX2543 |
| 15 | 100 | 50 | 0.400 | 0.370 | 0.187 | 1.5 | 0.004 | 15 | 24 | 27 | 30 | 46 | 60 | 70 | 15JX2527 |
| 15 | 100 | 50 | 0.375 | 0.370 | 0.312 | 1.5 | 0.004 | 15 | 24 | 27 | 30 | 46 | 60 | 70 | 15JX2143 |
| 20 | 100 | 50 | 0.375 | 0.550 | 0.187 | 1.5 | 0.002 | 15 | 24 | 26 | 30 | 46 | 55 | 70 | 20JX2584A |

CIRCUIT CONFIGURATIONS

T CIRCUIT

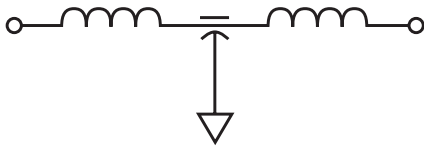
A three-section filter consisting of two series-connected inductors between the input and output terminals, with a feedthrough capacitor between them from line to ground. The T filter is usually symmetrical (identical inductive elements), but circumstances sometimes warrant use of asymmetrical circuits.

A T filter has attenuation characteristics that increase at 60 dB from its cutoff frequency to at least that frequency where it exhibits a minimum attenuation of 60 dB.

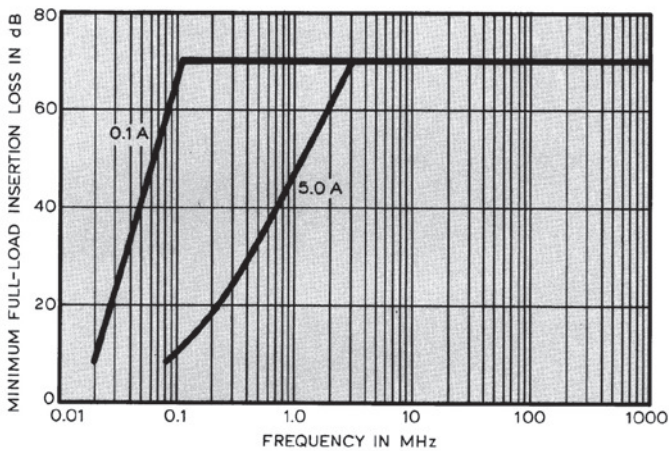
The schematic symbol and typical attenuation characteristics are shown below:

T-Only Filters are the choice when both the input and output impedances are low.

T CIRCUIT FILTERS



TYPICAL ATTENUATION CHARACTERISTICS



LL CIRCUIT

Four-section filter consisting of two feedthrough capacitors connected between line and ground with two interspersed inductors connected in series with them between the input and output terminals. The LL filter is usually made with identical capacitor and inductor elements.

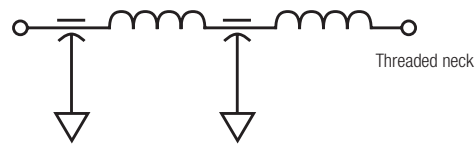
LL1 filters have an inductive element closest to the end with the threaded mounting neck. LL2 filters have a capacitive element adjacent to the end with the threaded mounting neck. An LL filter has attenuation characteristics that increase at 80 dB per decade from its cutoff frequency to that frequency where its attenuation is at least 80 dB.

The LL filter's schematic symbol and typical attenuation characteristics are shown below:

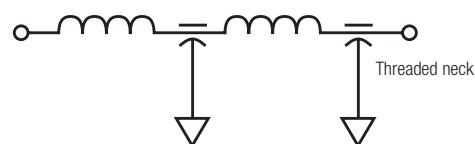
LL-Only Filters should only be selected when extremely high attenuation is required and when the input & output impedances vary significantly.

LL CIRCUIT FILTERS

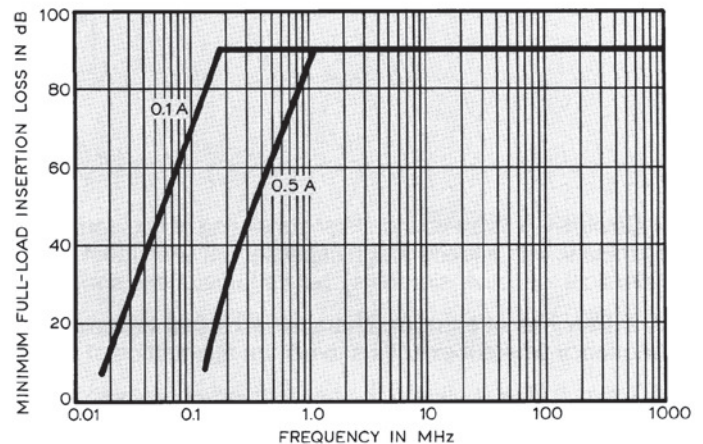
LL1



LL2



TYPICAL ATTENUATION CHARACTERISTICS



INSTALLATION GUIDELINES

**WHEN INSTALLING AN EMI FILTER FOR ANY PURPOSE,
OBSERVE THESE BASIC RULES:**

- The filter's metal case must make direct, low-resistance contact with the metal chassis, cabinet, or groundplane.
- Ground connections should be physically short and should exhibit the lowest possible rf impedance. Never use wires for rf grounds.
- The filter's input and output leads should be physically separated to provide the greatest amount of electrical isolation possible.
- Mount the filter as close as possible to the point power lines egress from the device being filtered. At any point of penetration through the device's electrical shield, make sure the shield's continuity is maintained. In every instance, the preferred installation technique is "bulkhead" mount.
- Maximum installation torque is as follows:

| Thread Size | Maximum Torque |
|-------------|----------------|
| $1/4 - 28$ | 48 in/ounces |
| $5/16 - 24$ | 64 in/ounces |

ABBREVIATIONS & TERMS

ATTENUATION

The decrease in amplitude of electricity (voltage, current, or power) in the stop-band of a filter, referenced to the amplitude without the filter. It is generally measured at a standard 50 Ω impedance and expressed in decibels (dB).

CONDUCTED INTERFERENCE

Undesirable electrical energy emitted by a device. The interference appears on power, signal, or control leads of the device and disrupts or degrades its performance or that of another device. Limits of conducted interference levels are generally defined by law or regulation.

CONDUCTED SUSCEPTIBILITY

A measure of the interference signal level (voltage or current) on power, signal or control leads required to cause an undesirable response or to degrade performance of a device.

DECADE

A frequency ratio of 10 to 1.

EMI

Electromagnetic interference or unwanted electrical energy in any form.

FILTER

To restrict or control electrical energy over a frequency range, or a device for doing so.

FREQUENCY SUBDIVISIONS

| | |
|----------------------------|-----------------|
| VLF (Very Low) | 3kHz to 30kHz |
| LF (Low) | 30kHz to 300kHz |
| MF (Medium) | 300kHz to 3MHz |
| HF (High) | 3MHz to 30MHz |
| VHF (Very High) | 30MHz to 300MHz |
| UHF (Ultra High) | 300MHz to 3GHz |
| SHF (Super High) | 3GHz to 30GHz |
| EHF (Extremely High) | 30GHz to 300GHz |

INSERTION LOSS

The decrease in amplitude of electricity (voltage, current, or power) in the pass-band of a filter, referenced to the amplitude without the filter. It is generally measured at a standard 50 Ω impedance and expressed in decibels (dB).

INSULATION RESISTANCE

Or IR, usually the value of the DC resistance from a conducting element to the case of a filter, extrapolated from measurement of DC current flow driven by a pure and precise DC voltage applied between the filter's terminals and its case.

LEAKAGE CURRENT

Or leakage, usually the algebraic sum of reactive currents flowing through the filter's capacitors to ground.

MIL-B-5087

U.S. Government document that specifies bonding, electrical and lightning protection for aerospace systems.

MIL-E-6051

U.S. Government document that specifies electromagnetic compatibility requirements for systems.

MIL-PRF-15733

U.S. Government document for general specification of filters and capacitors for control of radio-frequency interference.

MIL-PRF-28861

U.S. Government document for general specification of filters and capacitors for suppression of radio-frequency and electromagnetic interference.

MIL-HDBK-235 (NAVY)

U.S. Government document that specifies electromagnetic (radiated) environment considerations for design and procurement of electrical and electronic equipment.

MIL-HDBK-237

U.S. Government document that specifies electromagnetic compatibility program requirements.

MIL-STD-202

U.S. Government document that specifies test methods for electronic and electrical components.

MIL-STD-220

U.S. Government document that specifies methods of insertion loss measurement for radio-frequency filters.

MIL-STD-461

U.S. Government document that specifies electromagnetic interference requirements for equipment.

MIL-STD-462

U.S. Government document that specifies measurement of electromagnetic interference characteristics.

MIL-STD-469

U.S. Government document that specifies radar engineering design requirements for electromagnetic compatibility.

NOISE

Generic term for undesirable electrical energy.

OCTAVE

A frequency ratio of 2 to 1.

RADHAZ

Hazard presented by electromagnetic radiation to fuels, electronic hardware, ordnance, or personnel.

RADIATED INTERFERENCE

Undesirable electrical energy that radiates from a device or its leads, coupled for measurement purposes to a standard test antenna and receiver. Limits of radiated interference levels are generally defined by law or regulation.

RADIATED SUSCEPTIBILITY

A measure of radiated interference level required to cause an undesirable response or to degrade the performance of a device.

RADIATION

The emission of energy in the form of electromagnetic waves.

RFI

Radio-frequency interference, an older, somewhat restrictive term generally used interchangeably with "EMI."

RI

Radio interference, an even older and more restrictive term for "EMI."

TEST PROCEDURES

All filters in this catalog are capable of passing the following tests in tables I & II without physical damage or electrical degradation, except as noted. The following documents are applicable to this specification: MIL-STD-202, MIL-STD-220, MIL-PRF-15733, and MIL-PRF-28861.

TABLE I

TEST PROCEDURES

| Test | Quality Level/Sample Requirement | | | Test Method (MIL-STD-202 unless otherwise specified) |
|---------------------------------|----------------------------------|---------------|---------|--|
| | MIL-PRF-15733 | MIL-PRF-28861 | | |
| | | Class B | Class S | |
| Thermal Shock | 100% (Note 1) | 100% | 100% | Method 107, Condition A (-55°C to +125°C, 5 cycles) |
| Voltage Conditioning | 100% (Note 2) | 100% | 100% | Per MIL-PRF-28861, or 168 hours at 1.2 x AC voltage rating or 2 x DC rating (Note 3) |
| Dielectric Withstanding Voltage | 1% AQL | 100% | 100% | Method 301 (2.5 x DC voltage rating) |
| Insulation Resistance at +25°C | 1% AQL | 100% | 100% | Method 302 (At rated DC voltage) |
| Capacitance to Ground | 1% AQL | 100% | 100% | Method 305 (1.2 Vrms, maximum, at f=1kHz) |
| Insertion Loss | 1% AQL | 100% | 100% | MIL-STD-220 |
| DC Resistance | 1% AQL | 100% | 100% | Method 303 |
| DC Voltage Drop | 1% AQL | None | None | MIL-PRF-15733, Para. 4.6.8 |
| X-Ray | (Note 4) | 100% | 100% | Method 209 |
| Case Seal | 1% AQL | 100% | 100% | Method 112 MIL-PRF-15733, Condition A, or MIL-PRF-28861, Conditions A and C |
| Visual and Mechanical | 1% AQL | 1% AQL | 1% AQL | Per detailed specification |
| Temperature Rise | 4% AQL | None | None | MIL-PRF-15733, Para. 4.6.4 |
| Current Overload | 4% AQL | None | None | MIL-PRF-15733, Para. 4.6.10 |

NOTES:

- Dearborn performs thermal shock test on all ceramic filters as part of the production process.
- Dearborn conducts +125°C burn-in Tests on all Military QPL Filters for a minimum of 48 hours at 1.5 x DC voltage rating.
- Includes +125°C test for insulation resistance during last 50 hours (for MIL-PRF-28861, at 0.2% PDA).
- Except where selected specification sheets require 100% X-Ray.

TABLE II

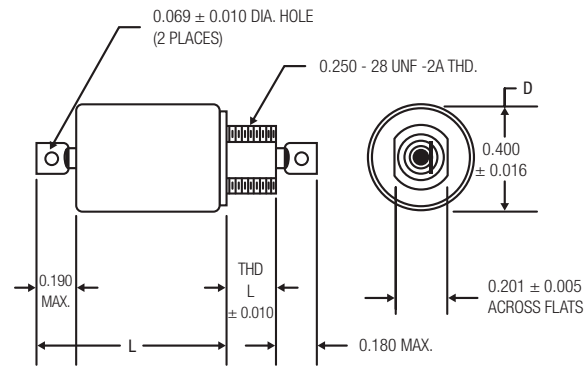
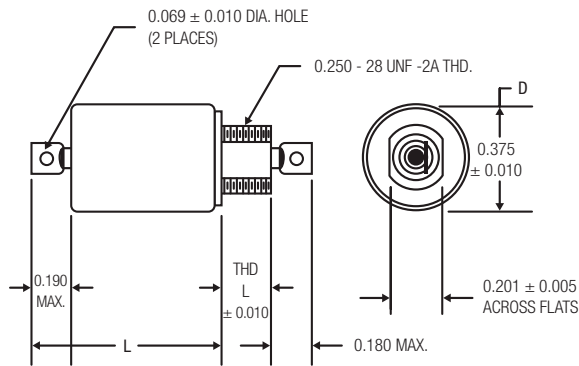
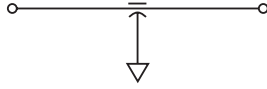
| Periodic Test | INSPECTION INTERVAL/ALLOWED FAILURES | | | Test Method (MIL-STD-202 unless otherwise specified) |
|--|--------------------------------------|-------------------|------------------|--|
| | MIL-PRF-15733 | MIL-PRF-28861 | | |
| | | Class B | Class S | |
| AC Voltage Drop | Not required | 90 days, 2 in 25 | 30 days, 0 in 5 | MIL-PRF-28861, Para. 4.6.6 |
| Voltage at Temperature, Capacitance Limits | Not required | 90 days, 2 in 25 | 30 days, 0 in 5 | MIL-PRF-28861, Para. 4.6.10 |
| Insertion Loss at Temperature Extremes (Note1) | 6 months, 1 in 4 | 90 days, 2 in 25 | 30 days, 0 in 5 | MIL-PRF-15733, Para. 4.6.9 MIL-PRF-28861, Para. 4.6.5 |
| Operation at Reduced Barometric Pressure (Note1) | 6 months, 1 in 4 | 90 days, 2 in 25 | 30 days, 0 in 5 | Method 105 MIL-PRF-15733,(50,000 ft. simulation) MIL-PRF-28861 (150,000 ft. simulation) |
| Salt Spray (Corrosion) (Note 1) | 6 months, 1 in 4 | 90 days, 1 in 5 | 90 days, 0 in 5 | Method 101 MIL-PRF-15733, Condition B MIL-PRF-28861, Condition A |
| Temperature Rise | Not required | 90 days, 2 in 25 | 30 days, 0 in 5 | MIL-PRF-28861, Para. 4.6.11 |
| Current Overload | Not required | 90 days, 2 in 25 | 30 days, 0 in 5 | MIL-PRF-28861, Para. 4.6.14 |
| Thermal Shock and Immersion (Note 2) | 6 months, 1 in 4 | 90 days, 2 in 25 | 30 days, 0 in 5 | Method 107, Condition A Method 104, Condition A |
| Resistance to Soldering Heat (Note 2) | 6 months, 1 in 4 | 90 days, 1 in 5 | 90 days, 0 in 5 | Method 210, Condition B |
| Resistance to Solvents (Note 2) | 6 months, 1 in 4 | 90 days, 1 in 3 | 90 days, 0 in 3 | Method 215 |
| Terminal Strength (Note 2) | 6 months, 1 in 4 | 90 days, 2 in 25 | 30 days, 0 in 5 | Method 211, Condition A (5 lbs.) |
| Solderability | 90 days, 1 in 0 | 90 days, 1 in 5 | 90 days, 0 in 5 | Method 208 |
| Life Test | 90 days, 1 in 10 | 90 days, 1 in 10 | 90 days, 0 in 22 | Method 108 MIL-PRF-15733, 250 hours MIL-PRF-28861, 1000 hours |
| Mechanical Shock | 6 months, 1 in 4 | 6 months, 1 in 10 | 6 months, 0 in 5 | Method 213 MIL-PRF-15733, condition K, 30 Gs MIL-PRF-28861, Class B, Condition I, 100 Gs MIL-PRF-28861, Class S, Condition F, 1500 Gs |
| High-Frequency Vibration | 6 months, 1 in 4 | 6 months, 1 in 10 | 6 months, 0 in 5 | Method 204 MIL-PRF-15733, Condition B, 15 Gs MIL-PRF-28861, Condition E, 50 Gs |
| Moisture Resistance | 6 months, 1 in 4 | 6 months, 1 in 10 | 6 months, 0 in 5 | Method 106 |
| Destructive Physical Analysis | Not required | Not required | 90 days | MIL-PRF-28861, Appendix B, 2 pieces |

NOTES:

1. MIL-PRF-15733 allows one failure in four as a result of three tests: Insertion Loss, Barometric Pressure, Salt Spray.
2. MIL-PRF-15733 allows one failure in four as a result of four tests: Thermal Shock/Immersion, Resistance to Soldering Heat, Resistance to Solvents, Terminal Strength.

DC-RATED CERAMIC EMI-RFI FILTERS

C (20 dB / DECADE)

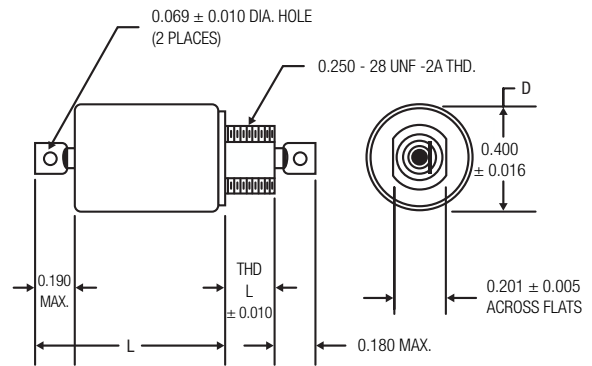
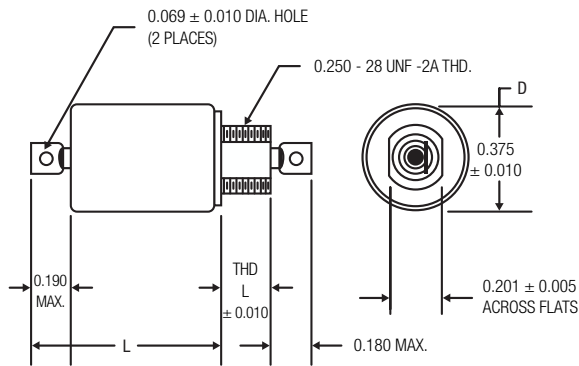
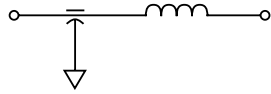


| Current Rating (A) | DC Voltage Rating | | D (in.) | Max. L (in.) | Thd. L (in.) | Min. Cap. (µF) | Max. R _{DC} (Ω) | Minimum Insertion Loss +25°C per MIL-STD-220 | | | | | | | Dearborn Part Number |
|--------------------|-------------------|------------|---------|--------------|--------------|----------------|--------------------------|--|------------|-------------|-------------|-----------|------------|-----------|----------------------|
| | @85°C (V) | @125°C (V) | | | | | | 30kHz (dB) | 75kHz (dB) | 100kHz (dB) | 150kHz (dB) | 1MHz (dB) | 10MHz (dB) | 1GHz (dB) | |
| 7.0 | 100 | 50 | 0.400 | 0.440 | 0.187 | 0.75 | 0.01 | 8.0 | 14 | 16 | 20 | 37 | 50 | 60 | 7JX2503 |
| 7.0 | 100 | 50 | 0.400 | 0.440 | 0.187 | 0.75 | 0.01 | 10 | 18 | 20 | 24 | 40 | 55 | 60 | 7JX2502 |
| 7.0 | 100 | 50 | 0.400 | 0.440 | 0.187 | 0.25 | 0.01 | - | 7.0 | 10 | 13 | 30 | 50 | 60 | 7JX2501 |
| 7.0 | 100 | 50 | 0.400 | 0.440 | 0.312 | 0.75 | 0.01 | 8.0 | 14 | 16 | 20 | 37 | 50 | 60 | 7JX2103 |
| 7.0 | 100 | 50 | 0.400 | 0.440 | 0.312 | 0.75 | 0.01 | 10 | 18 | 20 | 24 | 40 | 55 | 70 | 7JX2102 |
| 7.0 | 100 | 50 | 0.400 | 0.440 | 0.312 | 0.25 | 0.01 | - | 8.0 | 12 | 15 | 30 | 50 | 60 | 7JX2101 |
| 7.0 | 250 | 150 | 0.400 | 0.440 | 0.187 | 0.25 | 0.01 | 5.0 | 12 | 14 | 17 | 32 | 50 | 60 | 7JX2505 |
| 7.0 | 250 | 150 | 0.400 | 0.440 | 0.312 | 0.25 | 0.01 | - | 7.0 | 10 | 13 | 30 | 50 | 60 | 7JX2105 |
| 7.0 | 300 | 200 | 0.400 | 0.440 | 0.312 | 0.15 | 0.01 | - | - | - | 6.0 | 21 | 40 | 60 | 7JX2104 |
| 10 | 100 | 50 | 0.375 | 0.550 | 0.187 | 1.5 | 0.004 | 15 | 22 | 26 | 30 | 43 | 60 | 70 | 10JX2569 |
| 15 | 100 | 50 | 0.375 | 0.350 | 0.187 | 0.5 | 0.004 | 7.0 | 15 | 17 | 21 | 37 | 47 | 70 | 15JX2541A |
| 15 | 100 | 50 | 0.375 | 0.370 | 0.187 | 1.5 | 0.004 | 15 | 24 | 27 | 30 | 46 | 60 | 70 | 15JX2531 |
| 15 | 100 | 50 | 0.400 | 0.370 | 0.187 | 1.5 | 0.004 | 15 | 24 | 27 | 30 | 46 | 60 | 70 | 15JX2529 |
| 15 | 100 | 50 | 0.400 | 0.440 | 0.312 | 1.5 | 0.004 | 15 | 24 | 27 | 30 | 46 | 60 | 70 | 15JX2151 |
| 15 | 100 | 50 | 0.375 | 0.690 | 0.312 | 3.0 | 0.004 | 25 | 32 | 35 | 38 | 53 | 67 | 70 | 15JX2111 |
| 15 | 175 | 100 | 0.400 | 0.580 | 0.312 | 1.0 | 0.004 | 14 | 22 | 24 | 28 | 44 | 60 | 70 | 15JX2124 |
| 15 | 175 | 100 | 0.400 | 0.580 | 0.187 | 1.0 | 0.004 | 11 | 18 | 21 | 24 | 41 | 49 | 70 | 15JX2587 |
| 15 | 250 | 150 | 0.400 | 0.780 | 0.312 | 0.25 | 0.004 | - | 8.0 | 12 | 15 | 30 | 50 | 70 | 15JX3119 |
| 15 | 250 | 150 | 0.400 | 0.370 | 0.187 | 0.25 | 0.004 | - | 10 | 13 | 16 | 31 | 50 | 60 | 15JX2588 |

DC-RATED CERAMIC EMI-RFI FILTERS

L1 (40 dB/DECADE)

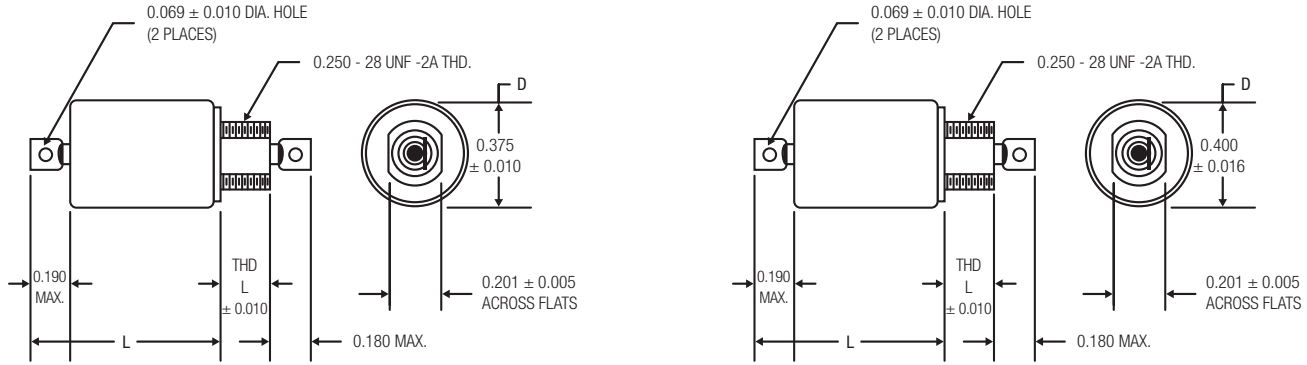
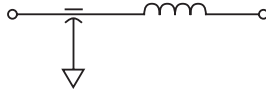
L1 (40 dB / DECADE)



| Current Rating (A) | DC Voltage Rating | | D (in.) | Max. L (in.) | Thd. L (in.) | Min. Cap. (µF) | Max. R _{DC} (Ω) | Minimum Insertion Loss +25°C per MIL-STD-220 | | | | | | Dearborn Part Number | |
|--------------------|-------------------|------------|---------|--------------|--------------|----------------|--------------------------|--|------------|-------------|-------------|-----------|------------|----------------------|-----------|
| | @85°C (V) | @125°C (V) | | | | | | 30kHz (dB) | 75kHz (dB) | 100kHz (dB) | 150kHz (dB) | 1MHz (dB) | 10MHz (dB) | | 1GHz (dB) |
| 0.1 | 100 | 50 | 0.400 | 0.630 | 0.312 | 0.25 | 1.65 | 9.0 | 23 | 29 | 39 | 70 | 70 | 70 | 1JX2206 |
| 0.1 | 100 | 50 | 0.400 | 0.630 | 0.312 | 0.75 | 1.7 | 20 | 35 | 41 | 48 | 70 | 70 | 70 | 1JX2203 |
| 0.1 | 100 | 50 | 0.400 | 0.630 | 0.187 | 0.75 | 1.7 | 20 | 35 | 41 | 48 | 70 | 70 | 70 | 1JX2603 |
| 0.1 | 100 | 50 | 0.375 | 0.730 | 0.312 | 1.5 | 2.23 | 26 | 43 | 48 | 54 | 80 | 80 | 80 | 1JX6221A |
| 0.1 | 100 | 50 | 0.375 | 0.730 | 0.187 | 1.5 | 2.23 | 26 | 43 | 48 | 54 | 80 | 80 | 80 | 1JX6201A |
| 0.1 | 200 | 100 | 0.400 | 0.630 | 0.312 | 0.25 | 1.7 | 11 | 26 | 32 | 39 | 60 | 60 | 60 | 1JX2205 |
| 0.1 | 200 | 100 | 0.400 | 0.630 | 0.187 | 0.25 | 1.7 | 11 | 26 | 32 | 39 | 60 | 60 | 60 | 1JX2605 |
| 0.1 | 200 | 100 | 0.400 | 0.630 | 0.187 | 0.0012 | 0.7 | - | - | - | 4.0 | 22 | 52 | 70 | 1JX6408A |
| 0.1 | 300 | 150 | 0.400 | 0.630 | 0.312 | 0.15 | 1.65 | 6.0 | 20 | 24 | 33 | 60 | 60 | 60 | 1JX2204 |
| 0.15 | 100 | 50 | 0.375 | 0.740 | 0.312 | 1.5 | 1.75 | 24 | 39 | 45 | 48 | 70 | 70 | 70 | 1JX2252E |
| 0.15 | 100 | 50 | 0.400 | 0.760 | 0.312 | 1.5 | 1.5 | 25 | 40 | 46 | 51 | 70 | 70 | 70 | 1JX2252C |
| 0.15 | 100 | 50 | 0.375 | 0.740 | 0.312 | 1.5 | 1.35 | 24 | 39 | 44 | 51 | 80 | 80 | 80 | 1JX6063A |
| 0.15 | 100 | 50 | 0.375 | 0.740 | 0.187 | 1.5 | 1.35 | 8.0 | 15 | 18 | 22 | 50 | 70 | 70 | 1JX6061A |
| 0.25 | 175 | 100 | 0.400 | 0.740 | 0.187 | 0.5 | 0.75 | - | 25 | 29 | 37 | 70 | 80 | 80 | 1JX6065A |
| 0.3 | 100 | 50 | 0.400 | 0.630 | 0.312 | 0.75 | 0.7 | 15 | 31 | 35 | 42 | 70 | 70 | 70 | 1JX2213 |
| 0.3 | 100 | 50 | 0.400 | 0.630 | 0.187 | 0.75 | 0.75 | 15 | 31 | 35 | 42 | 70 | 70 | 70 | 1JX2613 |
| 0.3 | 200 | 100 | 0.400 | 0.630 | 0.312 | 0.25 | 0.7 | 6.0 | 22 | 25 | 32 | 60 | 60 | 60 | 1JX2215 |
| 0.3 | 200 | 100 | 0.400 | 0.630 | 0.187 | 0.25 | 0.75 | 6.0 | 22 | 25 | 32 | 60 | 60 | 60 | 1JX2615 |
| 0.45 | 100 | 50 | 0.375 | 0.760 | 0.312 | 1.5 | 0.7 | 16 | 34 | 37 | 42 | 70 | 70 | 70 | 1JX2255E |
| 0.45 | 100 | 50 | 0.400 | 0.770 | 0.187 | 1.5 | 0.45 | 20 | 33 | 39 | 45 | 70 | 70 | 70 | 1JX6085A |
| 0.45 | 100 | 50 | 0.375 | 0.740 | 0.312 | 1.5 | 0.7 | 18 | 33 | 35 | 44 | 76 | 80 | 80 | 1JX6064A |
| 0.45 | 100 | 50 | 0.375 | 0.740 | 0.187 | 1.5 | 0.7 | 18 | 33 | 35 | 44 | 76 | 80 | 80 | 1JX6062A |
| 0.5 | 100 | 50 | 0.400 | 0.630 | 0.312 | 0.75 | 0.35 | 12 | 25 | 29 | 36 | 69 | 70 | 70 | 1JX2223 |
| 0.5 | 100 | 50 | 0.400 | 0.630 | 0.187 | 0.75 | 0.35 | 12 | 25 | 29 | 36 | 69 | 70 | 70 | 1JX2623 |
| 0.5 | 150 | 100 | 0.400 | 0.800 | 0.187 | 0.5 | 0.5 | 11 | 24 | 31 | 37 | 70 | 80 | 80 | 1JX6077A |
| 0.5 | 200 | 100 | 0.400 | 0.630 | 0.312 | 0.25 | 0.35 | 3.0 | 15 | 20 | 26 | 59 | 60 | 60 | 1JX2225 |
| 0.5 | 200 | 100 | 0.400 | 0.630 | 0.187 | 0.25 | 0.35 | 3.0 | 15 | 20 | 26 | 59 | 60 | 60 | 1JX2625 |
| 0.5 | 200 | 150 | 0.400 | 0.750 | 0.187 | 0.25 | 0.5 | - | 16 | 24 | 28 | 60 | 70 | 70 | 1JX6081A |
| 1.0 | 100 | 50 | 0.400 | 0.630 | 0.312 | 0.75 | 0.14 | 11 | 18 | 21 | 26 | 55 | 70 | 70 | 1JX2233 |
| 1.0 | 100 | 50 | 0.400 | 0.630 | 0.187 | 0.75 | 0.14 | 11 | 18 | 21 | 26 | 55 | 70 | 70 | 1JX2633 |
| 1.0 | 100 | 50 | 0.400 | 0.570 | 0.187 | 1.5 | 0.2 | 15 | 24 | 30 | 36 | 65 | 70 | 70 | 1JX6130B |
| 1.0 | 100 | 50 | 0.400 | 0.630 | 0.187 | 1.5 | 0.14 | 15 | 24 | 29 | 34 | 64 | 70 | 70 | 1JX6094A |
| 1.0 | 100 | 50 | 0.400 | 0.800 | 0.187 | 0.75 | 0.3 | - | 24 | 53 | 66 | 68 | 70 | 70 | 1JX6015A |

DC-RATED CERAMIC EMI-RFI FILTERS

L1 (40 dB / DECADE)

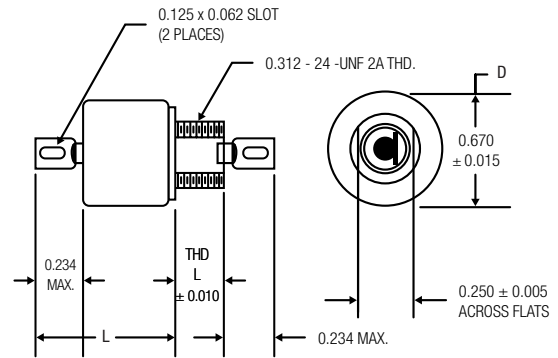
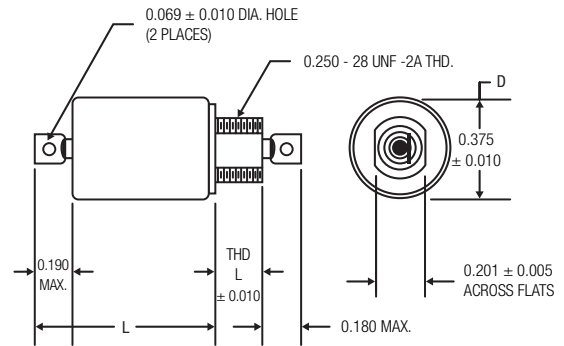
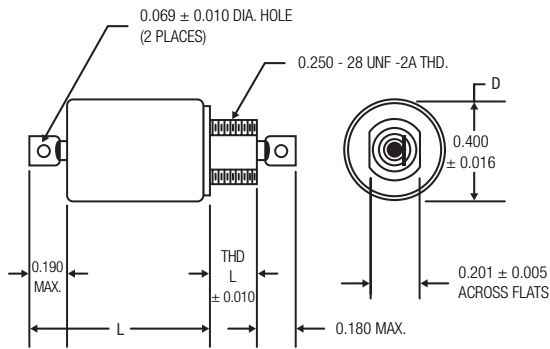
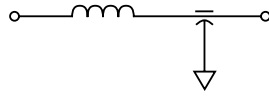


| Current Rating (A) | DC Voltage Rating | | D (in.) | Max. L (in.) | Thd. L (in.) | Min. Cap. (µF) | Max. R _{DC} (Ω) | Minimum Insertion Loss +25°C per MIL-STD-220 | | | | | | | Dearborn Part Number |
|--------------------|-------------------|------------|---------|--------------|--------------|----------------|--------------------------|--|------------|-------------|-------------|-----------|------------|-----------|----------------------|
| | @85°C (V) | @125°C (V) | | | | | | 30kHz (dB) | 75kHz (dB) | 100kHz (dB) | 150kHz (dB) | 1MHz (dB) | 10MHz (dB) | 1GHz (dB) | |
| 1.0 | 150 | 100 | 0.400 | 0.800 | 0.187 | 0.5 | 0.24 | 8.0 | 16 | 23 | 28 | 61 | 70 | 80 | 1JX6078A |
| 1.0 | 175 | 100 | 0.400 | 0.770 | 0.187 | 0.5 | 0.14 | - | - | - | 24 | 54 | 80 | 80 | 1JX6066A |
| 1.0 | 200 | 100 | 0.400 | 0.630 | 0.312 | 0.25 | 0.14 | 3.0 | 9.0 | 12 | 16 | 46 | 60 | 60 | 1JX2235 |
| 1.0 | 200 | 100 | 0.400 | 0.630 | 0.187 | 0.25 | 0.14 | 3.0 | 9.0 | 12 | 16 | 46 | 60 | 60 | 1JX2635 |
| 1.0 | 250 | 150 | 0.400 | 0.750 | 0.187 | 0.25 | 0.24 | - | 12 | 14 | 20 | 52 | 80 | 80 | 1JX6082A |
| 1.0 | 300 | 150 | 0.400 | 0.630 | 0.187 | 0.15 | 0.135 | - | 5.0 | 8.0 | 11 | 43 | 60 | 60 | 1JX2634 |
| 2.0 | 100 | 50 | 0.400 | 0.630 | 0.312 | 0.75 | 0.06 | 10 | 15 | 20 | 24 | 48 | 70 | 70 | 2JX2243 |
| 2.0 | 100 | 50 | 0.400 | 0.630 | 0.187 | 0.75 | 0.06 | 10 | 15 | 20 | 24 | 48 | 70 | 70 | 2JX2643 |
| 2.0 | 100 | 50 | 0.400 | 0.630 | 0.187 | 0.25 | 0.055 | 4.0 | 9.0 | 11 | 15 | 40 | 60 | 60 | 2JX2641 |
| 2.0 | 200 | 100 | 0.400 | 0.630 | 0.312 | 0.25 | 0.06 | 3.0 | 8.0 | 11 | 15 | 38 | 60 | 60 | 2JX2245 |
| 2.0 | 200 | 100 | 0.400 | 0.630 | 0.187 | 0.25 | 0.06 | 3.0 | 8.0 | 11 | 15 | 38 | 60 | 60 | 2JX2645 |
| 2.0 | 300 | 150 | 0.400 | 0.630 | 0.187 | 0.1 | 0.055 | - | 4.0 | 5.0 | 8.0 | 40 | 60 | 60 | 2JX2644 |
| 2.0 | 300 | 150 | 0.400 | 0.630 | 0.312 | 0.1 | 0.055 | - | 4.0 | 5.0 | 8.0 | 40 | 60 | 60 | 2JX2244 |
| 3.0 | 100 | 70 | 0.400 | 0.630 | 0.187 | 0.75 | 0.02 | - | 16 | 18 | 22 | 42 | 70 | 70 | 3JX6160A |
| 3.0 | 175 | 100 | 0.400 | 0.800 | 0.187 | 0.5 | 0.023 | - | 13 | 15 | 19 | 43 | 70 | 70 | 3JX6079A |
| 5.0 | 100 | 50 | 0.400 | 0.630 | 0.312 | 0.75 | 0.01 | 11 | 18 | 21 | 24 | 39 | 70 | 70 | 5JX2293 |
| 5.0 | 100 | 50 | 0.400 | 0.630 | 0.187 | 0.75 | 0.01 | 11 | 18 | 21 | 24 | 39 | 70 | 70 | 5JX2693 |
| 5.0 | 100 | 50 | 0.375 | 0.790 | 0.187 | 1.5 | 0.015 | 15 | 25 | 27 | 30 | 45 | 60 | 70 | 5JX6022A |
| 5.0 | 100 | 50 | 0.400 | 0.760 | 0.187 | 1.5 | 0.01 | 16 | 24 | 26 | 30 | 48 | 70 | 70 | 5JX2678 |
| 5.0 | 175 | 85 | 0.400 | 0.770 | 0.187 | 0.5 | 0.01 | 8.0 | 14 | 17 | 20 | 38 | 60 | 70 | 5JX6067A |
| 5.0 | 175 | 85 | 0.400 | 0.800 | 0.187 | 0.5 | 0.01 | 6.0 | 14 | 16 | 20 | 36 | 64 | 70 | 5JX6045A |
| 5.0 | 200 | 100 | 0.400 | 0.630 | 0.312 | 0.25 | 0.01 | - | 11 | 14 | 17 | 32 | 61 | 70 | 5JX2295 |
| 5.0 | 200 | 100 | 0.400 | 0.630 | 0.187 | 0.25 | 0.01 | - | 11 | 14 | 17 | 32 | 61 | 70 | 5JX2695 |
| 10 | 100 | 50 | 0.375 | 0.730 | 0.187 | 1.5 | 0.004 | 15 | 22 | 26 | 30 | 43 | 60 | 70 | 10JX2548A |
| 10 | 100 | 50 | 0.375 | 0.385 | 0.187 | 1.5 | 0.004 | 18 | 26 | 28 | 32 | 46 | 54 | 70 | 10JX2117 |
| 10 | 100 | 50 | 0.375 | 0.730 | 0.312 | 1.5 | 0.004 | 16 | 22 | 26 | 30 | 43 | 60 | 70 | 10JX2112A |
| 10 | 100 | 50 | 0.400 | 0.440 | 0.187 | 1.5 | 0.008 | 15 | 24 | 27 | 30 | 46 | 60 | 70 | 10JX6292 |
| 10 | 100 | 50 | 0.375 | 0.760 | 0.187 | 1.5 | 0.004 | 15 | 24 | 27 | 30 | 46 | 60 | 70 | 10JX6043A |
| 10 | 175 | 100 | 0.375 | 0.385 | 0.187 | 0.5 | 0.004 | 8.0 | 16 | 18 | 20 | 38 | 55 | 70 | 10JX2545 |
| 15 | 100 | 50 | 0.400 | 0.370 | 0.187 | 0.75 | 0.004 | 8.0 | 17 | 18 | 20 | 38 | 54 | 70 | 15JX2589 |
| 15 | 100 | 50 | 0.375 | 0.370 | 0.187 | 1.5 | 0.0025 | 16 | 24 | 27 | 28 | 44 | 58 | 70 | 15JX2543 |
| 15 | 100 | 50 | 0.400 | 0.370 | 0.187 | 1.5 | 0.004 | 15 | 24 | 27 | 30 | 46 | 60 | 70 | 15JX2527 |
| 15 | 100 | 50 | 0.375 | 0.370 | 0.312 | 1.5 | 0.004 | 15 | 24 | 27 | 30 | 46 | 60 | 70 | 15JX2143 |
| 20 | 100 | 50 | 0.375 | 0.550 | 0.187 | 1.5 | 0.002 | 15 | 24 | 26 | 30 | 46 | 55 | 70 | 20JX2584A |

DC-RATED CERAMIC EMI-RFI FILTERS

L2 (40 dB/DECADE)

L2 (40 dB / DECADE)



| Current Rating (A) | DC Voltage Rating | | D (in.) | Max. L (in.) | Thd. L (in.) | Min. Cap. (µF) | Max. R _{DC} (Ω) | Minimum Insertion Loss +25°C per MIL-STD-220 | | | | | | Dearborn Part Number | |
|--------------------|-------------------|------------|---------|--------------|--------------|----------------|--------------------------|--|------------|-------------|-------------|-----------|------------|----------------------|-----------|
| | @85°C (V) | @125°C (V) | | | | | | 30kHz (dB) | 75kHz (dB) | 100kHz (dB) | 150kHz (dB) | 1MHz (dB) | 10MHz (dB) | | 1GHz (dB) |
| 0.1 | 100 | 50 | 0.400 | 0.630 | 0.312 | 0.75 | 1.7 | 20 | 35 | 41 | 48 | 70 | 70 | 70 | 1JX2208 |
| 0.1 | 100 | 50 | 0.400 | 0.630 | 0.187 | 0.75 | 1.7 | 20 | 35 | 41 | 48 | 70 | 70 | 70 | 1JX2608 |
| 0.1 | 100 | 50 | 0.400 | 0.760 | 0.187 | 0.75 | 1.9 | 24 | 40 | 46 | 51 | 70 | 80 | 80 | 1JX6017A |
| 0.1 | 100 | 50 | 0.375 | 0.730 | 0.312 | 1.5 | 2.23 | 26 | 43 | 48 | 54 | 80 | 80 | 80 | 1JX6221B |
| 0.1 | 100 | 50 | 0.375 | 0.730 | 0.187 | 1.5 | 2.23 | 26 | 43 | 48 | 54 | 80 | 80 | 80 | 1JX6201B |
| 0.1 | 200 | 100 | 0.400 | 0.630 | 0.312 | 0.25 | 1.7 | 11 | 26 | 32 | 39 | 60 | 60 | 60 | 1JX2210 |
| 0.1 | 200 | 100 | 0.400 | 0.630 | 0.187 | 0.25 | 1.7 | 11 | 26 | 32 | 39 | 60 | 60 | 60 | 1JX2610 |
| 0.15 | 100 | 50 | 0.375 | 0.740 | 0.312 | 1.5 | 1.35 | 24 | 39 | 44 | 51 | 80 | 80 | 80 | 1JX6063B |
| 0.15 | 100 | 50 | 0.375 | 0.740 | 0.187 | 1.5 | 1.35 | 24 | 39 | 44 | 51 | 80 | 80 | 80 | 1JX6061B |
| 0.25 | 175 | 100 | 0.400 | 0.770 | 0.187 | 0.5 | 0.75 | - | 25 | 29 | 37 | 70 | 80 | 80 | 1JX6065B |
| 0.3 | 100 | 50 | 0.400 | 0.630 | 0.312 | 0.75 | 0.75 | 15 | 31 | 35 | 42 | 70 | 70 | 70 | 1JX2218 |
| 0.3 | 100 | 50 | 0.400 | 0.630 | 0.187 | 0.75 | 0.75 | 15 | 31 | 35 | 42 | 70 | 70 | 70 | 1JX2618 |
| 0.3 | 200 | 100 | 0.400 | 0.630 | 0.312 | 0.25 | 0.75 | 6.0 | 22 | 25 | 32 | 60 | 60 | 60 | 1JX2220 |
| 0.3 | 200 | 100 | 0.400 | 0.630 | 0.187 | 0.25 | 0.75 | 6.0 | 22 | 25 | 32 | 60 | 60 | 60 | 1JX2620 |
| 0.3 | 200 | 100 | 0.400 | 0.630 | 0.187 | 0.25 | 0.7 | 6.0 | 22 | 25 | 32 | 60 | 60 | 60 | 1JX2616 |
| 0.45 | 100 | 50 | 0.375 | 0.740 | 0.312 | 1.5 | 0.6 | 18 | 33 | 35 | 44 | 76 | 80 | 80 | 1JX6064B |
| 0.45 | 100 | 50 | 0.375 | 0.730 | 0.187 | 1.5 | 0.7 | 18 | 33 | 35 | 44 | 76 | 80 | 80 | 1JX6062B |
| 0.45 | 100 | 50 | 0.400 | 0.770 | 0.187 | 1.5 | 0.45 | 20 | 33 | 39 | 45 | 70 | 70 | 70 | 1JX6085B |
| 0.5 | 100 | 50 | 0.400 | 0.630 | 0.312 | 0.75 | 0.35 | 12 | 25 | 29 | 36 | 69 | 70 | 70 | 1JX2228 |
| 0.5 | 100 | 50 | 0.400 | 0.630 | 0.187 | 0.75 | 0.35 | 12 | 25 | 29 | 36 | 69 | 70 | 70 | 1JX2628 |
| 0.5 | 150 | 100 | 0.400 | 0.740 | 0.187 | 1.0 | 0.2 | 13 | 23 | 28 | 33 | 64 | 70 | 70 | 1JX6090B |
| 0.5 | 150 | 75 | 0.400 | 0.800 | 0.187 | 0.5 | 0.5 | 11 | 24 | 31 | 37 | 70 | 80 | 80 | 1JX6077B |
| 0.5 | 200 | 100 | 0.400 | 0.630 | 0.312 | 0.25 | 0.35 | 3.0 | 15 | 20 | 26 | 59 | 70 | 70 | 1JX2230 |
| 0.5 | 200 | 100 | 0.400 | 0.630 | 0.187 | 0.25 | 0.35 | 3.0 | 15 | 20 | 26 | 59 | 60 | 60 | 1JX2630 |
| 0.5 | 200 | 150 | 0.400 | 0.750 | 0.187 | 0.25 | 0.5 | - | 16 | 24 | 28 | 60 | 70 | 70 | 1JX6081B |
| 1.0 | 100 | 50 | 0.400 | 0.630 | 0.312 | 0.75 | 0.14 | 11 | 18 | 21 | 26 | 55 | 70 | 70 | 1JX2238 |
| 1.0 | 100 | 50 | 0.400 | 0.630 | 0.187 | 0.75 | 0.14 | 11 | 18 | 21 | 26 | 55 | 70 | 70 | 1JX2638 |
| 1.0 | 100 | 50 | 0.400 | 0.760 | 0.187 | 1.5 | 0.025 | 17 | 28 | 30 | 35 | 70 | 80 | 80 | 1JX6068B |
| 1.0 | 150 | 75 | 0.400 | 0.800 | 0.187 | 0.5 | 0.24 | 8.0 | 16 | 23 | 28 | 61 | 70 | 80 | 1JX6078B |
| 1.0 | 175 | 100 | 0.400 | 0.770 | 0.187 | 0.5 | 0.14 | - | - | - | 24 | 54 | 80 | 80 | 1JX6066B |
| 1.0 | 175 | 100 | 0.670 | 1.140 | 0.312 | 1.0 | 0.60 | 16 | 32 | 37 | 43 | 70 | 70 | 70 | 1JX6111B |